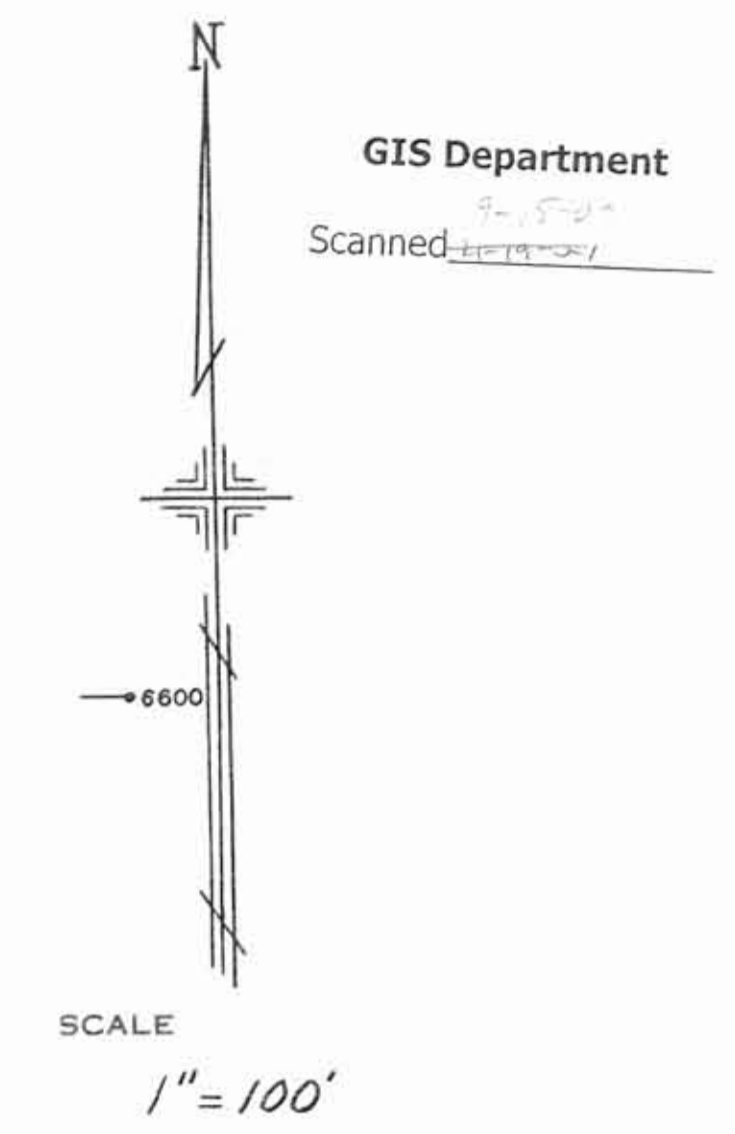


PLATE 25
G.L.No.43-50
POLAND TWP.

OFFICE OF COUNTY ENGINEER
 MAHONING COUNTY COURT HOUSE
 YOUNGSTOWN, OHIO



- 26**
- LEGEND**
- (44) PLATE NUMBER
 - 4700 HOUSE NUMBERING GRID
 - 4710 HOUSE NUMBER
 - (2.2) PERMANENT PARCEL NO.

24

39