

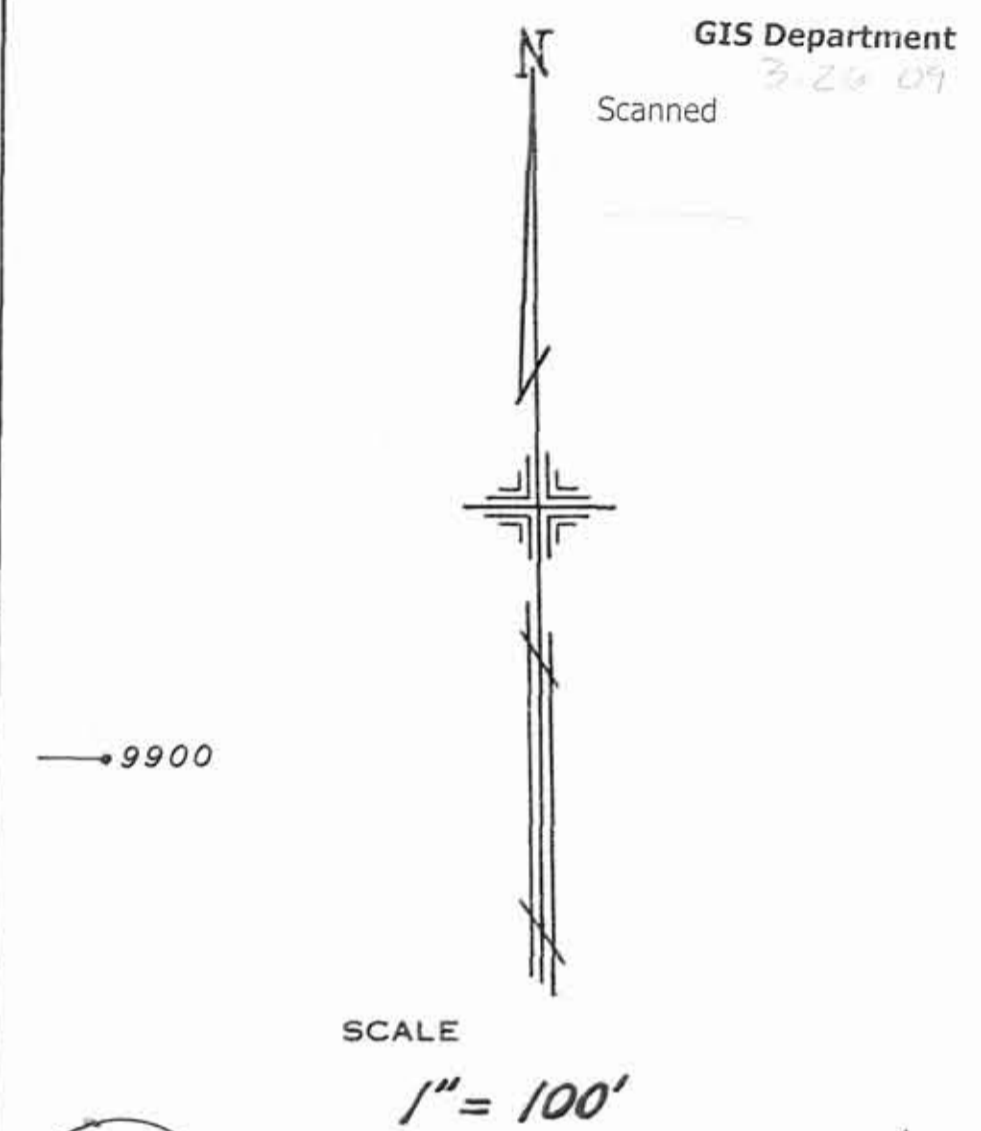
9700

# PLATE 181

SECTION No. 5

## SMITH TWP.

OFFICE OF COUNTY ENGINEER  
 MAHONING COUNTY COURT HOUSE  
 9800 YOUNGSTOWN, OHIO



9900

10000

10100

22000

21900

21800

21700

21600

21500

1436.32'

186

**LEGEND**

- (21) PLATE NUMBER
- 4700 HOUSE NUMBERING GRID
- [4170] HOUSE NUMBER