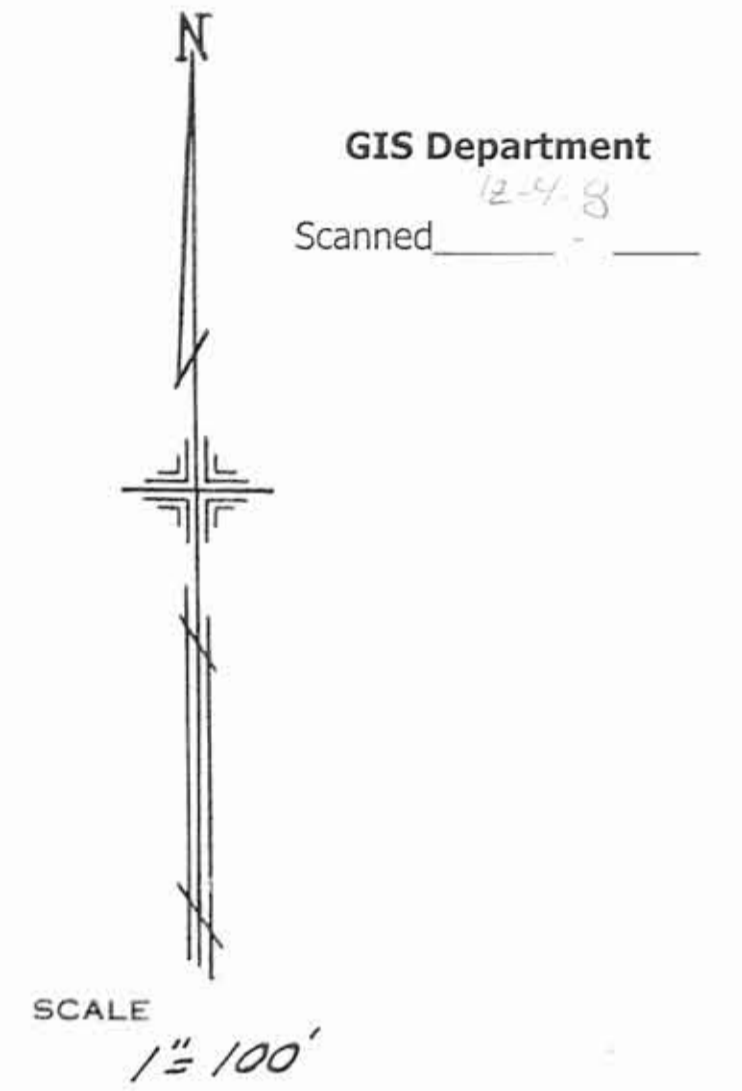


PLATE 131
SECTION No. 28
SPRINGFIELD TWP.

OFFICE OF COUNTY ENGINEER
MAHONING COUNTY COURT HOUSE
YOUNGSTOWN, OHIO



- LEGEND**
- 44 PLATE NUMBER
 - 4700 HOUSE NUMBERING GRID
 - 4170 HOUSE NUMBER
 - (2) OR (2.2) PERMANENT PARCEL NO.

